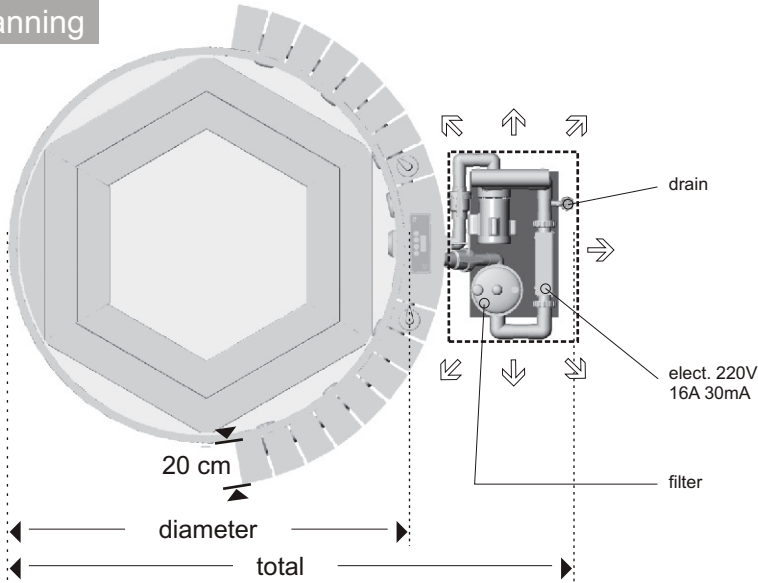
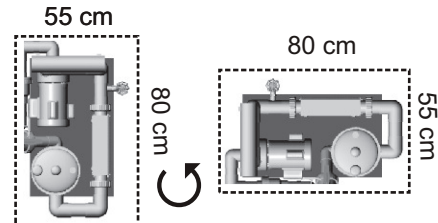


Planning



model	Small	Medium	Large	Xlarge
diameter	144	166	188	214
total	220	240	260	290

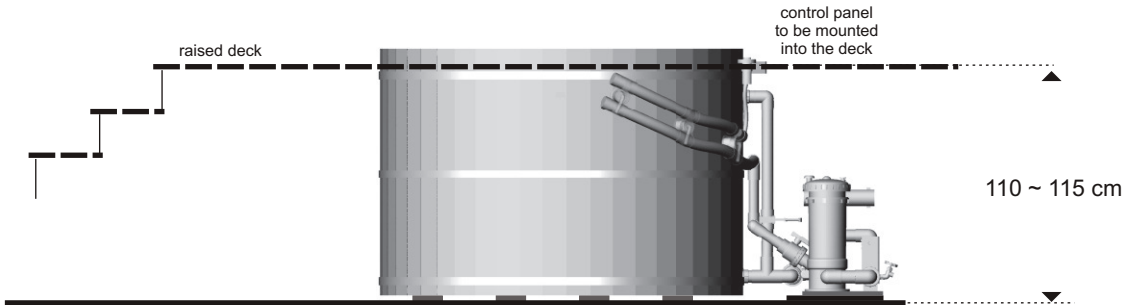
Tab.1 Dimensions (cm)



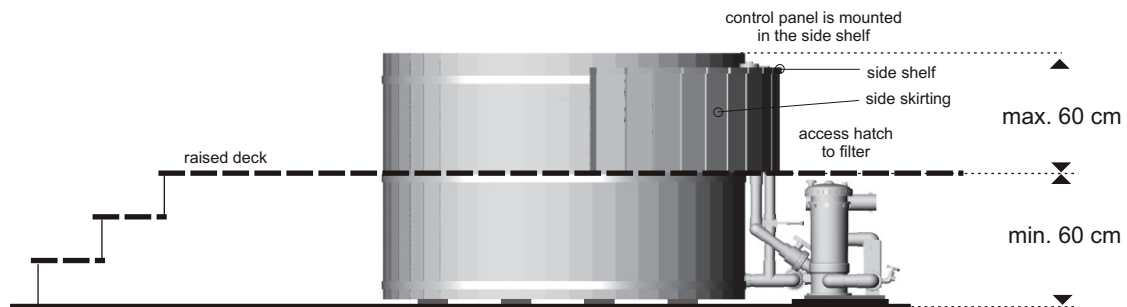
The skid pack assembly can be turned 90°. It's location is not strictly limited and offers a flexible positioning vis-a-vis the hot tub.

Dimensions and measurements for integrating in a deck

Built in



Semi built in



Standalone



The stair can be positioned freely vis-a-vis the tub.

model	Small	Medium	Large	Xlarge
total max.	330	350	370	400
width	184	206	228	254

Tab.2 Maximum dimensions (cm)

